



RECIPROCATING COMPRESSOR
WBHE-Series

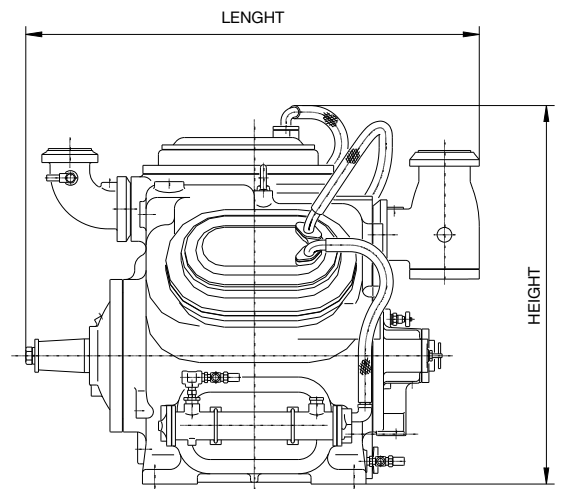
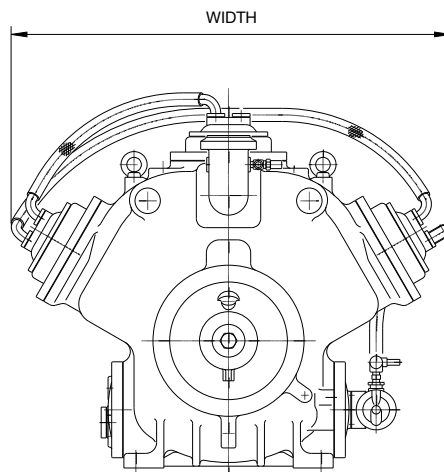


The new WBHE series

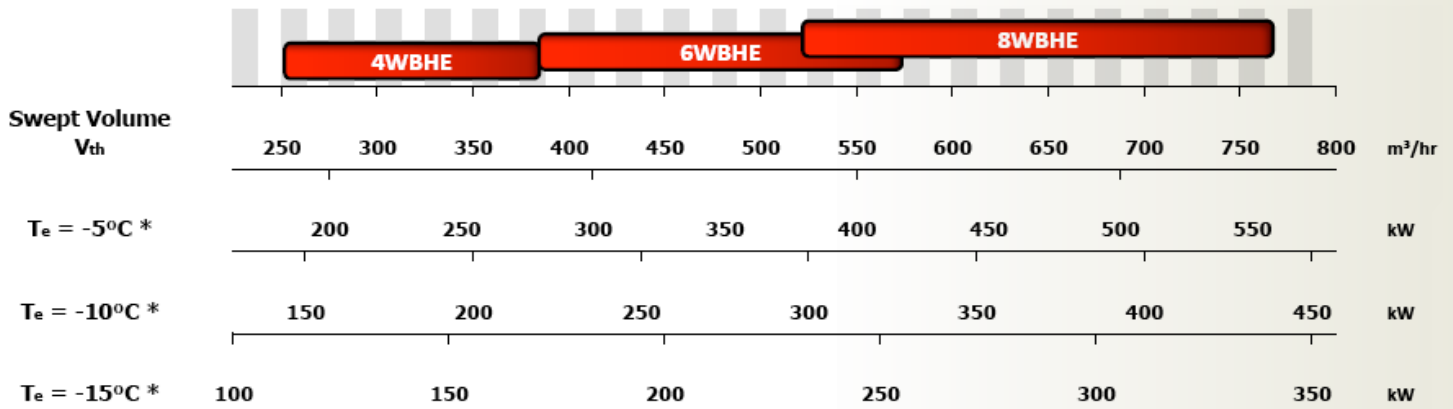
has been designed as an advanced compressor from our popular WB&B series, a compressor type that has proven its reliability and service friendly design with more than 15 000 compressors installed in the field over 50 years worldwide in industry. With this upgraded model we offer a wide range of single stage models for cast iron open type industrial reciprocating compressors.

Our WBHE series is designed to operate with the natural refrigerants (NH3, hydro carbons) HFC's (R507, R404a, R134a, etc.) and CFC's and is suitable for cooling, freezing and air conditioning systems.

The major structural changes on the new WBHE are the new shaft seal, thrust bearing and main bearing upgrade. For the models 6WBHE and 8WBHE we can offer cylinder (instead of bank-) step control and optional 100% unloaded running.



TYPE	POIDS (kg)	LARGEUR (mm)	LONGUEUR (mm)	HAUTEUR (mm)
4WBHE	1020	1050	1100	1180
6WBHE	1200	1240	1340	1314
8WBHE	1450	1300	1390	1334



* Refrigerant NH₃
T_c = 35°C

ITEM	LIMIT VALUE	REMARKS
Maximum discharge pressure [barG]	23.6	8WBHE/8WBHEU ≤ 1.96 Booster specification < 0.6
	19.6	
Minimum discharge pressure [barG]	6	Except the booster specification
Maximum suction pressure [barG]	5.88 ¹⁾²⁾	Standard specification ≤ 0.35 Booster specification ≤ 0.05
	-0.733	
Minimum suction pressure [barG]	-0.733	B.B specification > 0
Design pressure [barG]	26	
Maximum compression ratio [-]	NH ₃ : ≤ 9	Limited on discharge temperature
	HFCs: ≤ 10	
Minimum compression ratio [-]	≥ 1.5	
Maximum discharge temperature [°C]	NH ₃ : 140	
	HFC, HCFC, R22,	
	propane: 120	
Minimum suction temperature [°C]	-60	
Maximum oil supply temperature [°C]	50	Oil cooler outlet
Suction superheat [K]	> 0, ≤ 20	
Minimum/maximum cooling water inlet temperature [°C]	15/30 ³⁾	Water temperature for head covers ≤ 50
Minimum/maximum rotation speed (rpm)	800/1200	The rotation speed can be controlled

- 1) Standstill is included. Standstill of booster specification is the same as the one of standard specification.
- 2) If this value exceeds 0.35 MPa, B.B specification should be applied
- 3) Other temperatures are possible on request

PRÉSENCE MONDIALE

- 35 pays / 122 agences
- 8 Sites de production



Organisation Européenne

SWITZERLAND

Rosenbergstrasse 31, 6300 Zug
 Tel. +41 41 726 8626
 Fax +41 41 726 8620
<http://www.mayekawa.ch>
 E-mail info@mayekawa.ch

SPAIN

Calle Montevideo 5, Nave 13
 Pol. Industrial Camporroso
 28806 Alcala de Henares, Madrid
 Tel. +34 91 830 0392
 Fax +34 91 830 0397
<http://www.mayekawa.es>
 E-mail mayekawa@mayekawa.es

GERMANY

Munich Office

Untere Bahnhofstrasse 38a, 82110 Germering
 Tel. +49 89 5527 989 0
 Fax +49 89 5527 989 19

Hamburg Office

Weidestraße 122a, 22083 Hamburg
 Tel. +49 40 27889149 0
 Fax +49 40 27889149 9
 E-mail info@mayekawa.de

FRANCE

East Branch Office

9, Rue Michael Faraday
 78180 Montigny-Le-Bretonneux
 Tel. +33 1 30 58 26 00
 Fax +33 1 30 58 19 37

West Branch Office

6, Square des Pruniers
 22400 Lamballe
 Tel. +33 2 96 76 59 13
 Fax +33 1 30 58 19 37
 E-mail mayekawa.france@mayekawa.eu

UNITED KINGDOM

16 Oakhurst Gardens
 DA7 5JP Bexleyheath, Kent
 Tel. +44 1322 433558
 Fax +44 1322 433164

RUSSIA

Office 228, Korovy Val St. 7
 119049 Moscow
 Tel. +7 499 230 01 76
 Fax +7 499 230 21 12
<http://www.mayekawa.ru>
 E-mail info@mayekawa.ru

BULGARIA

Kamen Andreev Str. 24, 1303 Sofia
 Tel. +359 2 8910130
 Fax +359 2 8910131

DUBAI

P.O.Box 61349, W-HOUSE No.RA-08-UC05
 Jebel Ali Free Zone Dubai, UAE
 Tel. +971-4-888-6363
 Fax +971-4-888-6373

INDIA

Mayekawa India PVT. LTD.
 309, Centrum Plaza, Golf Course Road
 Sector-53, Gurgaon
 Haryana
 Tel. +91 124 4206611 16
 Fax +91 124 4206618

AUSTRALIA

Unit 2,44 McCauley Street
 NSW 2036 Matraville
 Tel. +61 2 9695 7000
 Fax +61 2 9695 7001
<http://www.mayekawa.com.au>
 E-mail mycomaus@mayekawa.com.au

NEW ZEALAND

Unit 2, 30 Tui Street Otahuhu
 Auckland
 Tel. +68 9 276 2305
 Fax +68 9 276 2306
 E-mail info@mayekawa.co.nz

ITALY

Via Riccardo Lombardi 19/12
 20153 Milano
 Tel. +39 2 48929218
 Fax +39 2 4531728

TURKEY

Dunya Ticaret Merkezi
 A/2 Blok Kat:10 No:325 Yesilkoy, Istanbul
 Tel. +90 212 465 36 31 34
 Fax +90 212 465 36 35

JAPAN HEAD OFFICE

3-14-15 Botan Koto-ku
 Tokyo 135 8482, JAPAN
 Tel. 81 3 3642 8181
 Fax 81 3 3643 7094
 E-mail e-public@mayekawa.co.jp

MAYEKAWA Europe nv/sa

Leuvensesteenweg 605
 1930 Zaventem - Belgium
 Tel. +32 2 757 90 75
 Fax +32 2 757 90 23
<http://www.mayekawa.eu>
 E-mail info@mayekawa.eu

Global web site
<http://www.mayekawa.com/>