

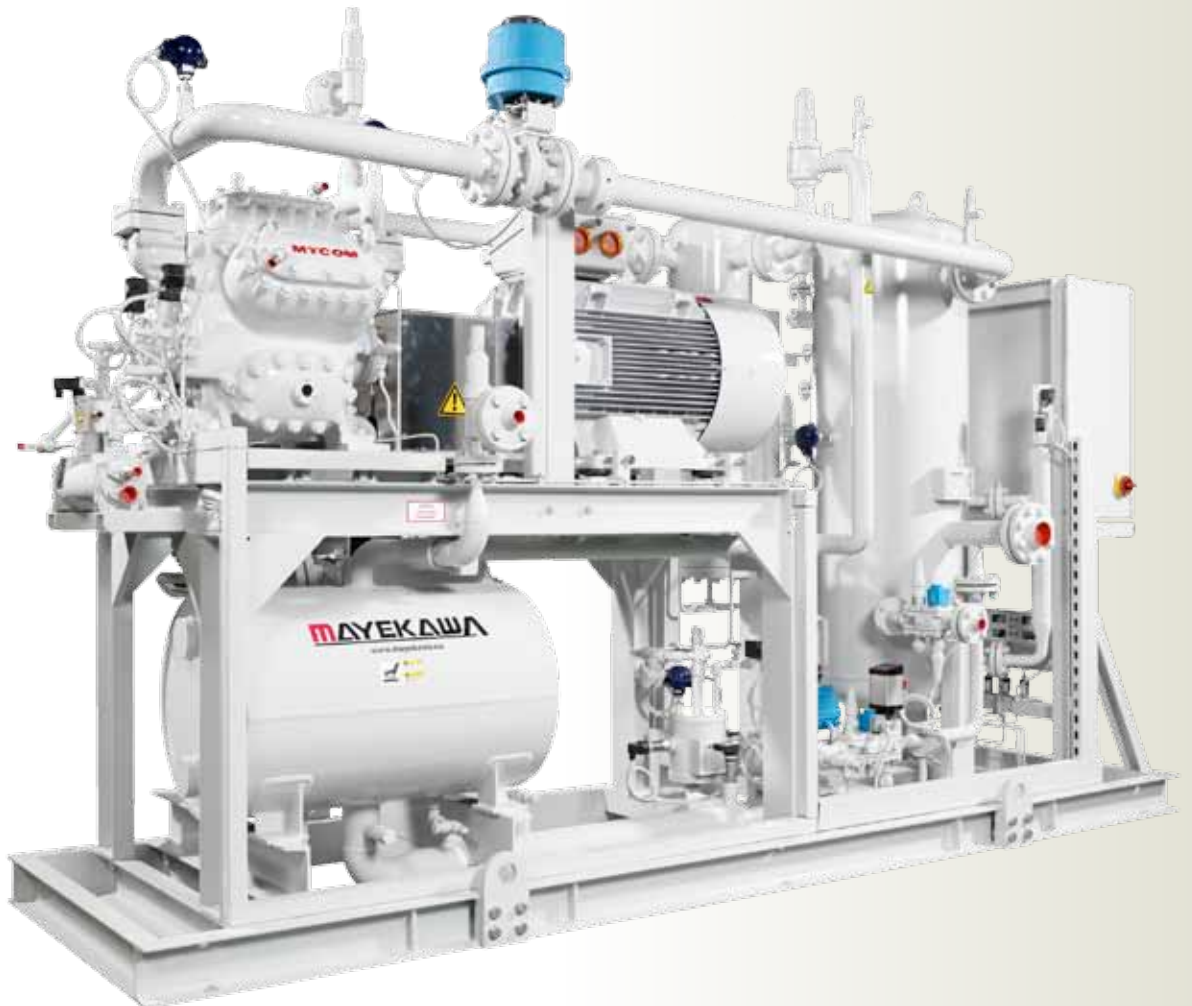
# MAYEKAWA

## MYCOM



MAYEKAWA NEW STANDARD HIGH STAGE HEAT PUMP

PLUS **HEAT** 改X



MAYEKAWA  
MAYEKAWA Europe nv/sa

### The **MAYEKAWA PLUS+HEAT<sub>χ</sub>** (KAI)

products belongs to the MAYEKAWA 'NATURAL 5' program, and introduces herewith a new generation of energy saving equipment, using the MAYEKAWA N6HK high pressure compressor (50 bar) with natural refrigerant NH<sub>3</sub> (GWP=0).

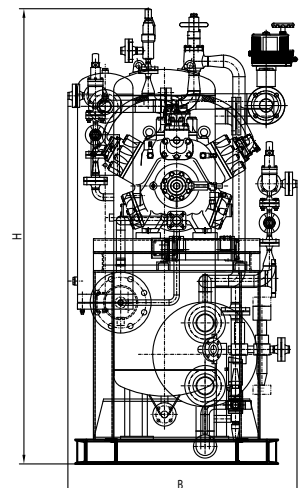
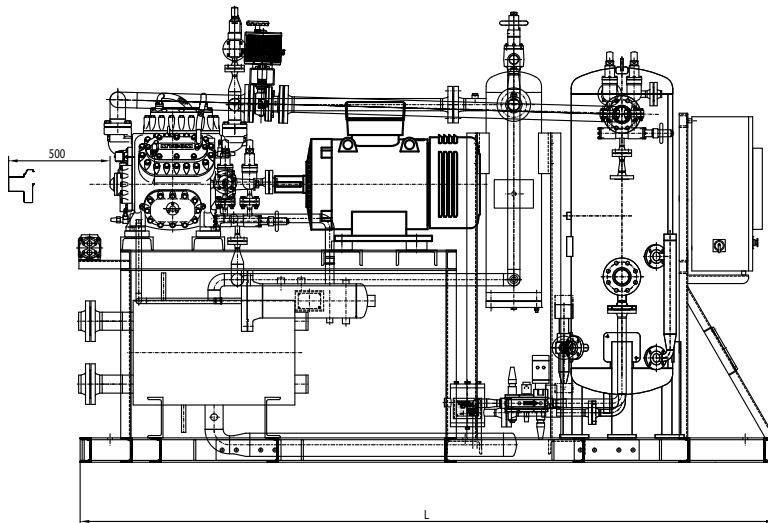
**MAYEKAWA Plus+HEAT<sub>χ</sub>** is using condenser heat from the refrigeration plant.

**MAYEKAWA Plus+HEAT<sub>χ</sub>** takes the gas from the high pressure side of the refrigeration plant at the refrigeration compressor outlet to the low pressure side of the heat pump compressor via mounting open flash tank.

It is clear that this application leads to a very important reduction on use of fossil energy: **MAYEKAWA Plus+HEAT<sub>χ</sub>** consumes much less then when using a steam boiler, resulting in energy cost reduction, which also applies on the reduction of direct CO<sub>2</sub> emissions. The system has also the additional benefit of a shorter installation time as the packaged unit can easily be connected to the existing system.

Also you can select sensible heat recovery heat exchanger and/or liquid heat recovery heat exchanger as options. We can provide higher C.O.P system if you will select options.

### Dimension of **PLUS+HEAT<sub>χ</sub>**

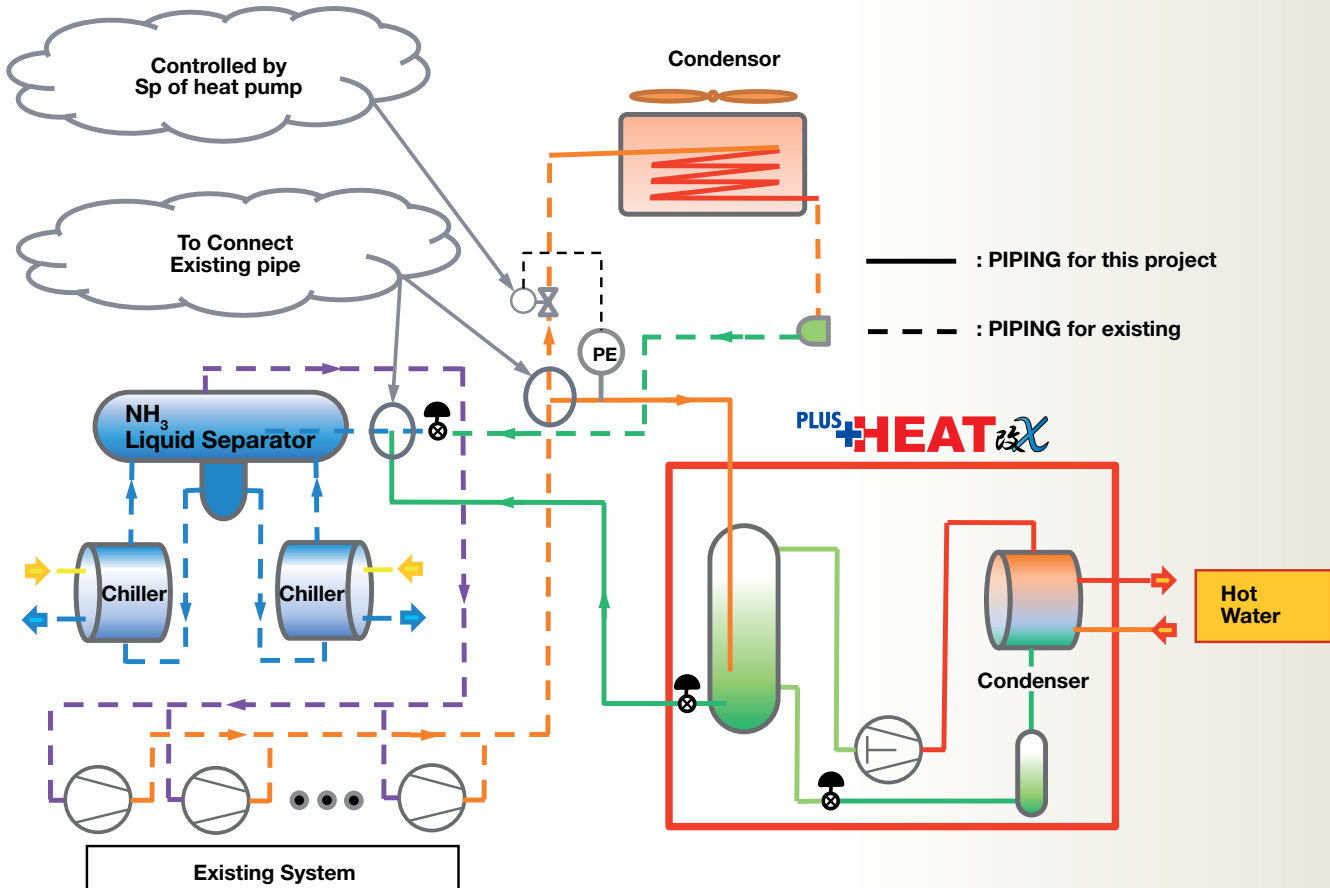


\*Above drawing is subject to change without notice

# Specification

Refrigerant			Ammonia (R717)					
Type			PHX-R90		PHX-R110		PHX-R132	PHX-R132H
Outlet Hot Water Temperature		°C	60	65	70	75	80	85
Condensing temperature of low stage		°C	35					40
Capacity	Heating Capacity	kW	523	510	496	480	465	523
	Absorbed Power	kW	64,1	74	83	89	99	110
	C.O.P heating	-	8,2	6,9	6,0	5,4	4,7	4,8
Design pressure (SP/DP)		barÜ	20/50					20/55
Power Supply			400V 3φ 50Hz / 230V 1φ 50Hz					
Type of Compressor			N6HK (Receiprocating Compressor)					
Motor size (4P IP55 IE2)		kW	90		110		132	
Starter		-	your selection					
recommendable oil		-	depending on oil of existing system - please contact us					
Condenser	Type	-	Shell & Plate type heat exchanger					
	Temperature of Hot water	°C	55/60	60/65	65/70	70/75	75/80	80/85
	Flow rate of hot water	m³/h	90,0	87,7	85,2	82,6	79,9	90,0
Dimension	Wide (B)	mm	1050					-
	Length (L)	mm	3500					-
	Height (H)	mm	2250					-
	Weight	kg	3000		3200		3300	

## System reference of PLUS+HEAT<sub>EX</sub>



# MAYEKAWA

## MYCOM

### WORLDWIDE

- 35 countries / 122 offices
- 8 production plants



## MAYEKAWA

### Europe Organization

#### SWITZERLAND

Rosenbergstrasse 31, 6300 Zug  
Tel. +41 41 726 8626  
Fax +41 41 726 8620  
<http://www.mayekawa.ch>  
E-mail [info@mayekawa.ch](mailto:info@mayekawa.ch)

#### SPAIN

Calle Montevideo 5, Nave 13  
Pol. Industrial Camporroso  
28806 Alcala de Henares, Madrid  
Tel. +34 91 830 0392  
Fax +34 91 830 0397  
<http://www.mayekawa.es>  
E-mail [mayekawa@mayekawa.es](mailto:mayekawa@mayekawa.es)

#### GERMANY

##### Munich Office

Untere Bahnhofstrasse 38a, 82110 Germering  
Tel. +49 89 5527 989 0  
Fax +49 89 5527 989 19

##### Hamburg Office

Weidestraße 122a, 22083 Hamburg  
Tel. +49 40 27889149 0  
Fax +49 40 27889149 9  
E-mail [info@mayekawa.de](mailto:info@mayekawa.de)

#### FRANCE

##### East Branch Office

9, Rue Michael Faraday  
78180 Montigny-Le-Bretonneux  
Tel. +33 1 30 58 26 00  
Fax +33 1 30 58 19 37

##### West Branch Office

6, Square des Pruniers  
22400 Lamballe  
Tel. +33 2 96 76 59 13  
Fax +33 1 30 58 19 37  
E-mail [mayekawa.france@mayekawa.eu](mailto:mayekawa.france@mayekawa.eu)

#### UNITED KINGDOM

16 Oakhurst Gardens  
DA7 5JP Bexleyheath, Kent  
Tel. +44 1322 433558  
Fax +44 1322 433164

#### RUSSIA

Office 228, Korovy Val St. 7  
119049 Moscow  
Tel. +7 499 230 01 76  
Fax +7 499 230 21 12  
<http://www.mayekawa.ru>  
E-mail [info@mayekawa.ru](mailto:info@mayekawa.ru)

#### BULGARIA

Kamen Andreev Str. 24, 1303 Sofia  
Tel. +359 2 8910130  
Fax +359 2 8910131

#### DUBAI

P.O.Box 61349, W-HOUSE No.RA-08-UC05  
Jebel Ali Free Zone Dubai, UAE  
Tel. +971-4-888-6363  
Fax +971-4-888-6373

#### INDIA

Mayekawa India PVT. LTD.  
309, Centrum Plaza, Golf Course Road  
Sector-53, Gurgaon  
Haryana  
Tel. +91 124 4206611 16  
Fax +91 124 4206618

#### AUSTRALIA

Unit 2,44 McCauley Street  
NSW 2036 Matraville  
Tel. +61 2 9695 7000  
Fax +61 2 9695 7001  
<http://www.mayekawa.com.au>  
E-mail [mycomaus@mayekawa.com.au](mailto:mycomaus@mayekawa.com.au)

#### NEW ZEALAND

Unit 2, 30 Tui Street Otahuhu  
Auckland  
Tel. +68 9 276 2305  
Fax +68 9 276 2306  
E-mail [info@mayekawa.co.nz](mailto:info@mayekawa.co.nz)

#### ITALY

Via Riccardo Lombardi 19/12  
20153 Milano  
Tel. +39 2 48929218  
Fax +39 2 4531728

#### TURKEY

Dunya Ticaret Merkezi  
A/2 Blok Kat:10 No:325 Yesilkoy, Istanbul  
Tel. +90 212 465 36 31 34  
Fax +90 212 465 36 35

#### JAPAN HEAD OFFICE

3-14-15 Botan Koto-ku  
Tokyo 135 8482, JAPAN  
Tel. 81 3 3642 8181  
Fax 81 3 3643 7094  
E-mail [e-public@mayekawa.co.jp](mailto:e-public@mayekawa.co.jp)

#### MAYEKAWA Europe nv/sa

Leuvensesteenweg 605  
1930 Zaventem - Belgium  
Tel. +32 2 757 90 75  
Fax +32 2 757 90 23  
<http://www.mayekawa.eu>  
E-mail [info@mayekawa.eu](mailto:info@mayekawa.eu)

#### Global web site

<http://www.mayekawa.com/>