



RECIPROCATING COMPRESSOR

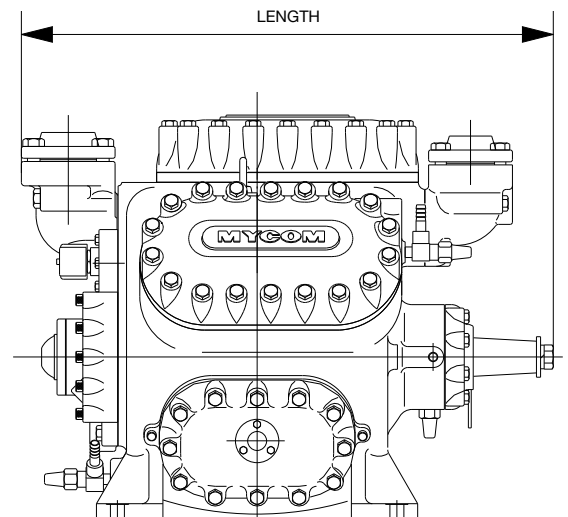
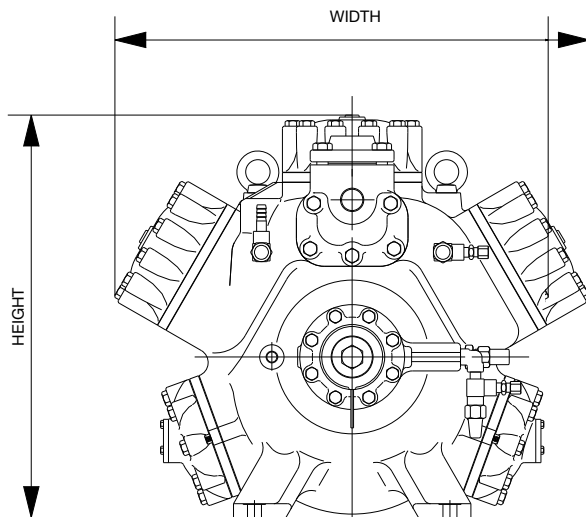
HK-Series



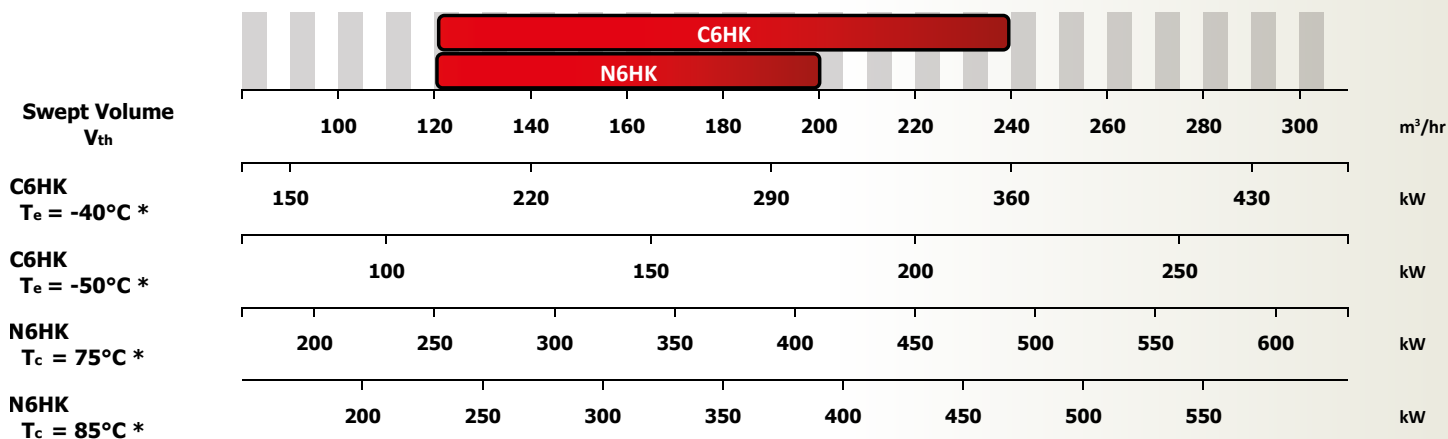
The HK-series

stands for high pressure. The machine can be used to compress the gas up to 50 bar. Today every customer wants to reduce his energy consumption. HK-series compressors are used in CO2 refrigeration systems and in NH3 heat pumps. When using the HK-series compressor in CO2 refrigeration, it is not necessary to foresee a separate defrosting compressor, as the basic refrigeration compressor can also be used in defrosting mode.

HK-series compressor heat pumps are directly contributing to important energy savings. The heat pump can produce hot water over 80 °C with significant reduction of fossil fuels such as gas and oil. HK-series compressors can be used in a wide range of pressures and speeds. HK-series compressors will directly contribute in achieving your plant energy reduction plan.



TYPE	WEIGHT (kg)	WIDTH (mm)	LENGTH (mm)	HEIGHT (mm)
6HK	360	710	750	640



* Refrigerant: N6HK=NH₃ , C6HK=CO₂
 C6HK : T_c = -10°C / N6HK : T_e = 30°C
 N6HK : Indicator is heating capacity

ITEM	LIMIT VALUE	REMARKS
Maximum discharge pressure [barG]	50	
Maximum suction pressure [barG]	20 ¹⁾	
Minimum suction pressure [barG]	-0.733	
Maximum differential pressure [barG]	35	Pd-Ps
Design pressure [barG]	56	
Maximum compression ratio [-]	NH ₃ : ≤ 9	Limited on discharge temperature
Maximum discharge temperature [°C]	NH ₃ et CO ₂ : 140	
Minimum suction temperature [°C]	-60	
Maximum oil supply temperature [°C]	60	Oil cooler outlet
Suction superheat [K]	> 0, ≤ 20	
Minimum/maximum cooling water inlet temperature [°C]	15 / 30 ²⁾	Water temperature for head covers ≤ 50
Minimum/maximum rotation speed (rpm)	NH ₃ : 900 / 1500 CO ₂ : 900 / 1800	

1) Standstill is included.
 2) Other temperatures are possible on request.

WORLDWIDE

- 35 countries / 122 offices
- 8 production plants



Europe Organization

SWITZERLAND

Rosenbergstrasse 31, 6300 Zug
Tel. +41 41 726 8626
Fax +41 41 726 8620
<http://www.mayekawa.ch>
E-mail info@mayekawa.ch

SPAIN

Calle Montevideo 5, Nave 13
Pol. Industrial Camporroso
28806 Alcala de Henares, Madrid
Tel. +34 91 830 0392
Fax +34 91 830 0397
<http://www.mayekawa.es>
E-mail mayekawa@mayekawa.es

GERMANY

Munich Office

Untere Bahnhofstrasse 38a, 82110 Germering
Tel. +49 89 5527 989 0
Fax +49 89 5527 989 19

Hamburg Office

Weidestraße 122a, 22083 Hamburg
Tel. +49 40 27889149 0
Fax +49 40 27889149 9
E-mail info@mayekawa.de

FRANCE

East Branch Office

9, Rue Michael Faraday
78180 Montigny-Le-Bretonneux
Tel. +33 1 30 58 26 00
Fax +33 1 30 58 19 37

West Branch Office

6, Square des Pruniers
22400 Lamballe
Tel. +33 2 96 76 59 13
Fax +33 1 30 58 19 37
E-mail mayekawa.france@mayekawa.eu

UNITED KINGDOM

16 Oakhurst Gardens
DA7 5JP Bexleyheath, Kent
Tel. +44 1322 433558
Fax +44 1322 433164

RUSSIA

Office 228, Korovy Val St. 7
119049 Moscow
Tel. +7 499 230 01 76
Fax +7 499 230 21 12
<http://www.mayekawa.ru>
E-mail info@mayekawa.ru

BULGARIA

Kamen Andreev Str. 24, 1303 Sofia
Tel. +359 2 8910130
Fax +359 2 8910131

DUBAI

P.O.Box 61349, W-HOUSE No.RA-08-UC05
Jebel Ali Free Zone Dubai, UAE
Tel. +971-4-888-6363
Fax +971-4-888-6373

INDIA

Mayekawa India PVT. LTD.
309, Centrum Plaza, Golf Course Road
Sector-53, Gurgaon
Haryana
Tel. +91 124 4206611 16
Fax +91 124 4206618

AUSTRALIA

Unit 2,44 McCauley Street
NSW 2036 Matraville
Tel. +61 2 9695 7000
Fax +61 2 9695 7001
<http://www.mayekawa.com.au>
E-mail mycomaus@mayekawa.com.au

NEW ZEALAND

Unit 2, 30 Tui Street Otahuhu
Auckland
Tel. +68 9 276 2305
Fax +68 9 276 2306
E-mail info@mayekawa.co.nz

ITALY

Via Riccardo Lombardi 19/12
20153 Milano
Tel. +39 2 48929218
Fax +39 2 4531728

TURKEY

Dunya Ticaret Merkezi
A/2 Blok Kat:10 No:325 Yesilkoy, Istanbul
Tel. +90 212 465 36 31 34
Fax +90 212 465 36 35

JAPAN HEAD OFFICE

3-14-15 Botan Koto-ku
Tokyo 135 8482, JAPAN
Tel. 81 3 3642 8181
Fax 81 3 3643 7094
E-mail e-public@mayekawa.co.jp

MAYEKAWA Europe nv/sa

Leuvensesteenweg 605
1930 Zaventem - Belgium
Tel. +32 2 757 90 75
Fax +32 2 757 90 23
<http://www.mayekawa.eu>
E-mail info@mayekawa.eu